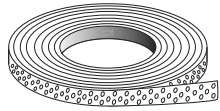


# MONTAGE

**SIMPSON**

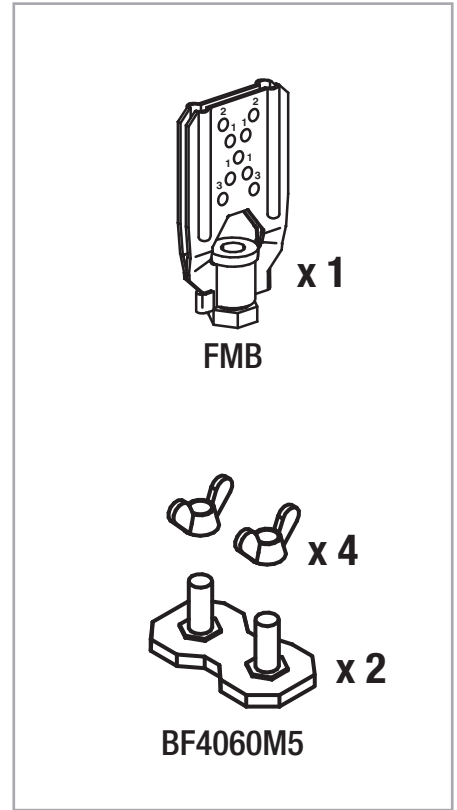
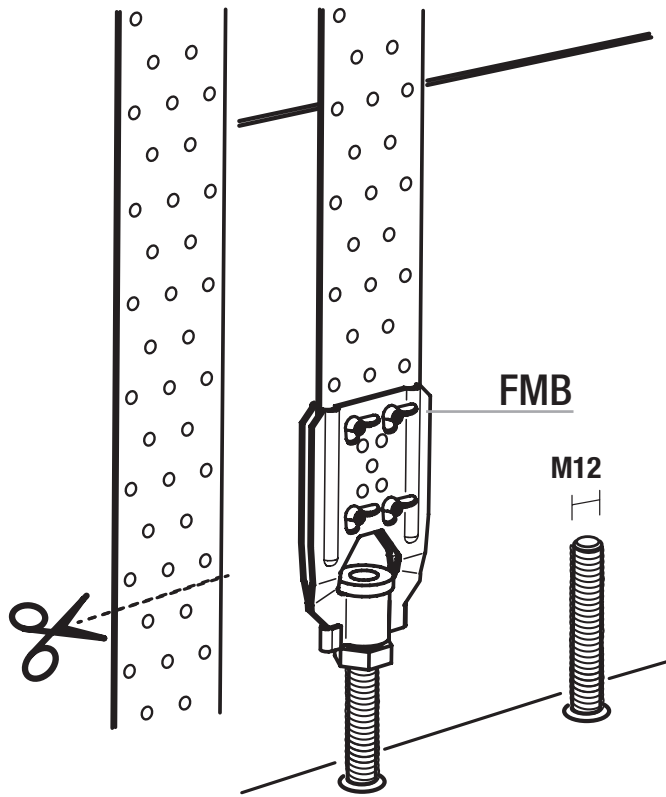
**Strong-Tie**

## FMB60-M12



BAN 60x2,0 mm

BAN 40x1,5, 40x0,9 mm



## MONTAGE:

