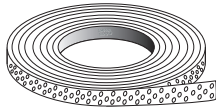


# MONTAGE

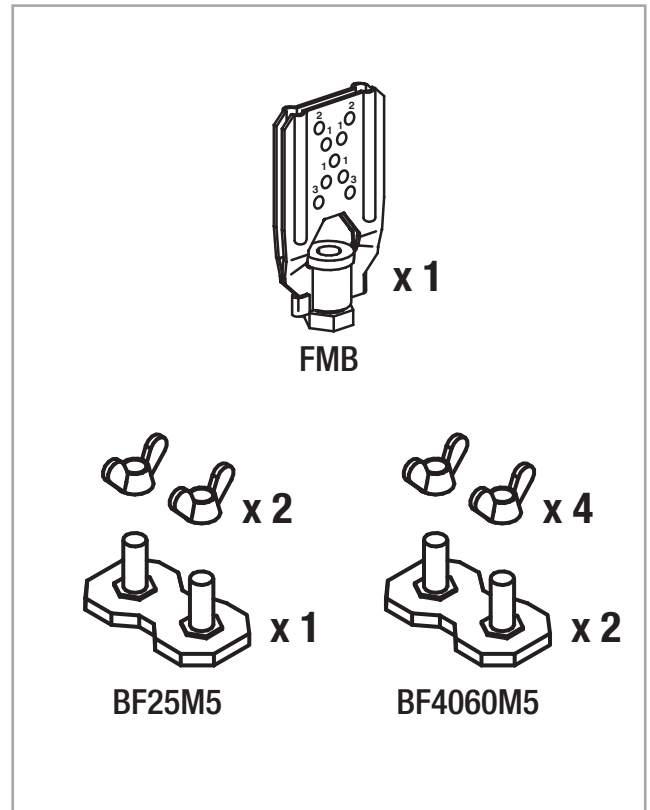
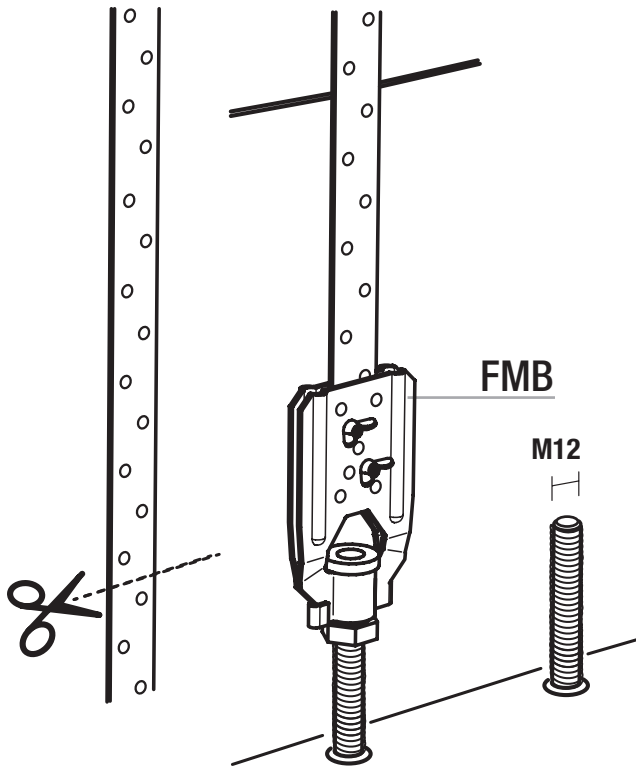
**SIMPSON**

**Strong-Tie**

## FMB2540-M12

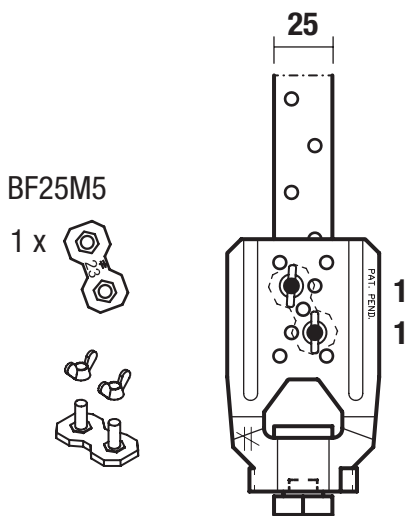


BAN 25x2,0 mm  
BAN 40x2,0 / 40x1,5 / 40x0,9 mm

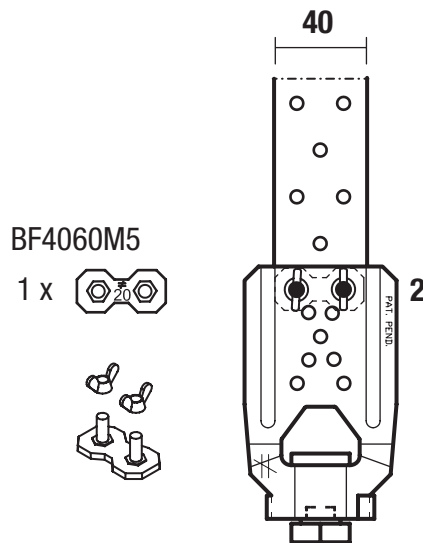


## MONTAGE:

25x2,0 mm:



40x2,0 mm:



40x1,5 mm:  
40x0,9 mm:

